

Potato Peelers With Microswitch and Floor Water Discharge

ITEM:	44184	44185	47055
MODEL:	PP-IT-0010	PE-IT-0018	PP-IT-0030

44184



Optional refuse bin drawer (64678) not included

44185



Optional refuse bin drawer (64678) not included

47055



Reliable and effortless

Trento's potato peelers are ideally suited for restaurants, busy kitchens, and hotels. Designed to handle large quantities of potatoes, these professional equipment are safe and easy to use.

FEATURES:

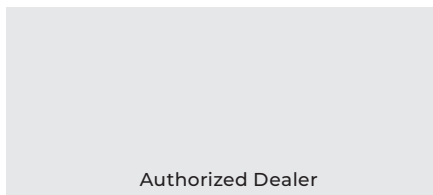
- Made of high quality stainless steel
- Equipped with a safety microswitch
- Unbreakable transparent plastic cover
- Digital and user-friendly control panel

1-833-487-3686

www.trentoequipment.com

sales@trentoequipment.com

Follow us on social media
@trentoequipment



For Item 47055 Only



For Items 44184/44185 Only

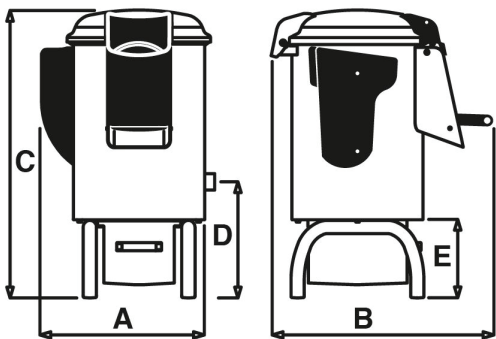


Technical Specification			
Features	22 lb. Capacity	40 lb. Capacity	66 lb. Capacity
Item	44184	44185	47055
Model	PP-IT-0010	PE-IT-0018	PP-IT-0030
Water Temperature	5° - 20°C (41° - 68°F)		
Capacity	22 lb. (10 kg.)	40 lb. (18 kg.)	66 lb. (30 kg.)
Production (Per Hour)	661.4 lb. (300 kg.)	1102.3 lb. (500 kg.)	1900 lb. (862 kg.)
RPM	320		240
Potato Peeling Cycle	90 - 120 seconds	120 - 150 seconds	
Flexible Pipe Feeding	0.75" (19 mm)		
Side Discharge Manifold	ø 2" (ø 50 mm)		
Lower Discharge Manifold	ø 1.6" (ø 40 mm)		
Power	550 W / 0.75 hp	900 W / 1.2 hp	
Electrical	115V / 60Hz / 1Ph		220V / 60Hz / 1Ph
Net Weight	88 lb. (40 kg.)	99.2 lb. (45 kg.)	132.3 lb. (60 kg.)
Net Dimensions (WDH)	20.8" x 26" x 33.5" (530 x 660 x 850 mm)	20.8" x 26" x 37.4" (530 x 660 x 950 mm)	21.7" x 31.5" x 35.4" (550 x 800 x 900 mm)
Gross Weight	110.2 lb. (50 kg.)	121.3 lb. (55 kg.)	149.9 lb. (68 kg.)
Gross Dimensions (WDH)	26.4" x 23.6" x 39.4" (670 x 600 x 1000 mm)	26.4" x 23.6" x 43.3" (670 x 600 x 1100 mm)	26.4" x 23.2" x 44.1" (670 x 590 x 1120 mm)
Plug Type	NEMA 5 - 15P		NEMA 6 - 20P

*For Items 44184/44185: Refuse Bin Drawer (Item 64678) is sold separately

**For Item 47055: Refuse Bin Drawer (Item AH531) is sold separately

TECHNICAL DRAWINGS AND DIMENSIONS



44184

- A. 20.8" (530 mm)
- B. 26" (660 mm)
- C. 33.5" (850 mm)
- D. 13.8" (350 mm)
- E. 8.3" (210 mm)

44185

- A. 20.8" (530 mm)
- B. 26" (660 mm)
- C. 37.4" (950 mm)
- D. 13.8" (350 mm)
- E. 8.3" (210 mm)

47055

*measurements in diagram are in mm

